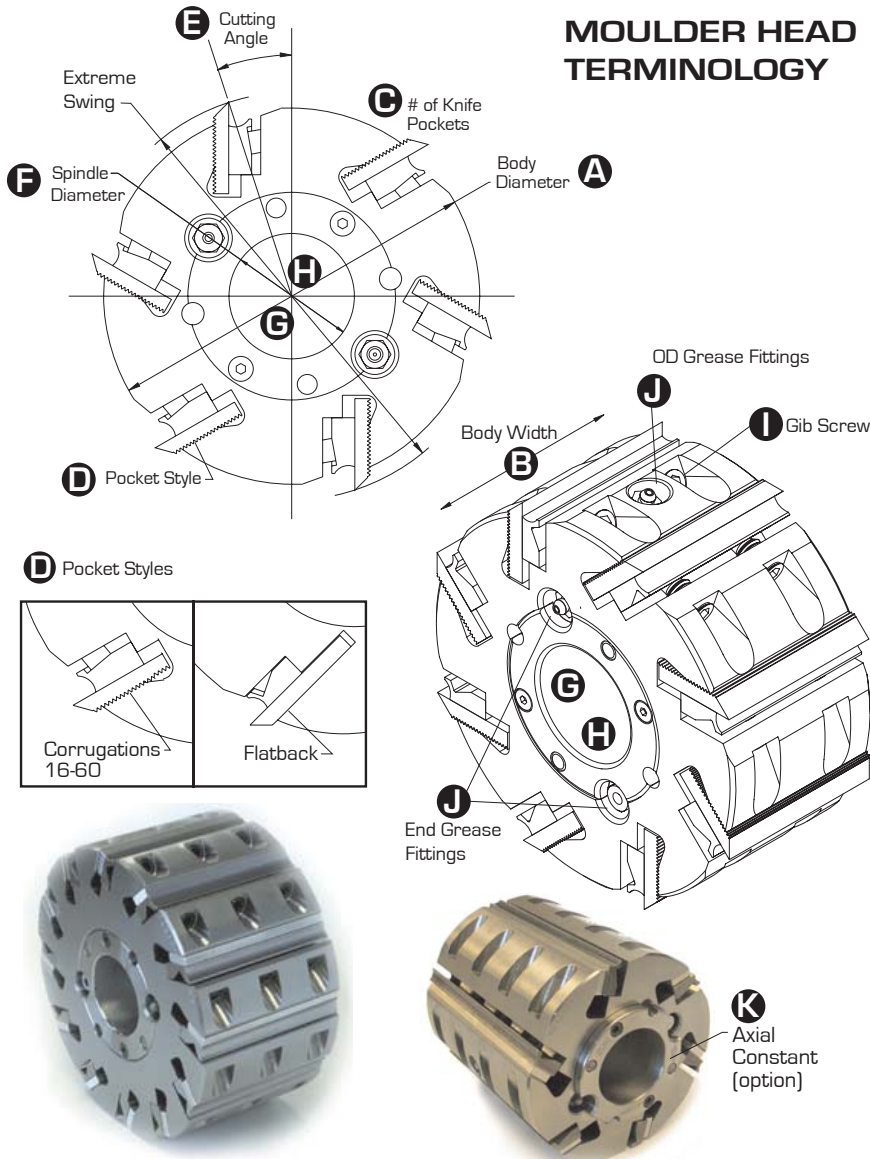


# MOULDER HEAD INQUIRY FORM

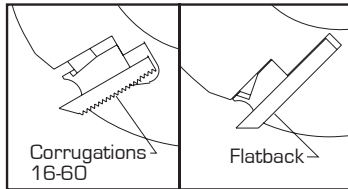
Company: \_\_\_\_\_  
 Contact Name: \_\_\_\_\_ Address: \_\_\_\_\_  
 E-mail: \_\_\_\_\_  
 Phone: \_\_\_\_\_  
 Fax: \_\_\_\_\_



## MOULDER HEAD TERMINOLOGY



**D** Pocket Styles



- A** BODY DIAMETER:
- 122mm       137mm  
 150mm       163mm  
 195mm       Other: \_\_\_\_\_

- B** BODY WIDTH:
- 60mm       76mm  
 100mm       130mm  
 150mm       180mm  
 200mm       230mm  
 260mm       310mm  
 Other: \_\_\_\_\_

- C** # of KNIVES:
- 4 Knife       6 Knife  
 8 Knife       10 Knife  
 12 Knife       Other: \_\_\_\_\_

- D** POCKET STYLE:
- Corrugated 16-60  
 Flatback  
 Key Knife

- E** CUTTING ANGLE:
- 12 degree       20 degree  
 Other: \_\_\_\_\_

- F** SPINDLE DIAMETER:
- 1.250"       1.500"  
 40mm       1.813"  
 50mm       2.125"  
 Other: \_\_\_\_\_

- G** CENTERING TYPE
- Ace-Loc Hydraulic  
 Straight Bore  
 Other: \_\_\_\_\_

- H** SPINDLE TYPE:
- Keyless       Keyed

- I** GIB SCREW TYPE:
- 6mm Allen Head  
 1/4" Square Head  
 5/16" Hex Head  
 Other: \_\_\_\_\_

- J** GREASE FITTING LOCATIONS:
- O.D.       End  
 Both

- K** AXIAL CONSTANT OPTION:
- 7mm       10mm

Notes: \_\_\_\_\_  
 \_\_\_\_\_  
 \_\_\_\_\_  
 \_\_\_\_\_

AceCo Precision Tools  
 Toll Free (USA): 1-800-359-7012  
 Phone: 208-343-7712

Fax: 208-345-0740  
 e-mail: info@aceco.com  
 website: www.aceco.com